

# VELOXOS-65



## DOWNLOAD



Catalog



2D



3D

---

## SAVE TO PDF / PRINT

**PUBLICATION - 2017-11-07**

# NOMINAL OPERATION PARAMETERS AT PURE WATER PUMPING

		Number of stages														
		2	3	4	5	6	7	8	9	10	11	12	13	14	15	
Capacity	$Q_n$	45													m <sup>3</sup> /h	
Head	H	80	120	160	200	240	280	320	360	400	440	480	520	560	600	m
Max. pressure in suction connector	$P_s$	1,0													MPa	
Net positive suction head and rate of flow	NPSH	3,5													m	
Weight	m	162	181	199	217	235	253	272	290	308	326	344	363	381	399	kg
Rotational speed	n	3000													rpm	

---

# TYPICAL APPLICATIONS

- pumping of pure water or slightly contaminated,
  - district heating - boiler feedwater, boiler cleaning,
  - energy - condensate pumping,
  - papermaking - sieves cleaning,
  - sugar factory - sieves cleaning,
  - food industry - supply of steam generators,
  - coking plant - ammonia water pumping, injectors supply,
  - other industrial systems in which fluid parameters are similar to water with pH 6÷10.
- 

# BASIC ADVANTAGES

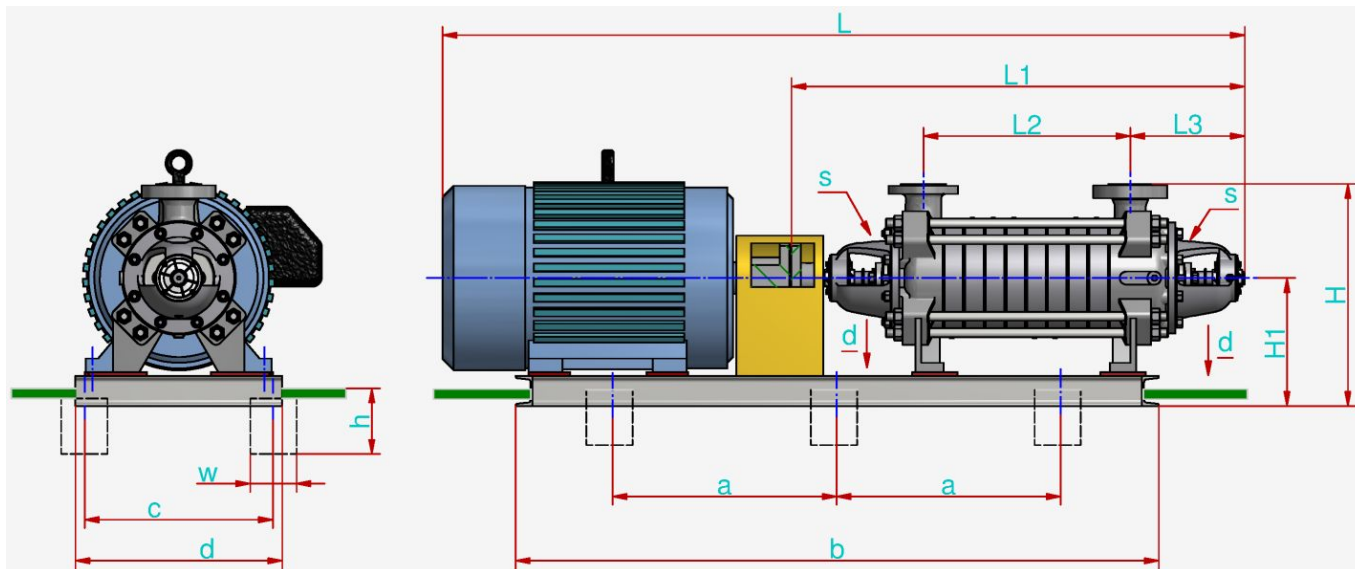
- light and compact design,
  - silent and smooth operation,
  - temperature of pumped liquid can be up to 150°C,
  - approved for operation in explosion-hazard zones - ATEX Ex I M2.
- 

# PUMP PERFORMANCE CURVE

IN PROGRESS

---

# MAIN DIMENSIONS



	Number of stages															
	2	3	4	5	6	7	8	9	10	11	12	13	14	15		
<b>Suction connector</b>	DN80 PN16 EN 1092-1														-	
<b>Discharge connector</b>	DN65 PN100 EN 1092-1														-	
<b>L</b>	1477	1635	1740	1903	2042	2097	2203	2258	2390	2445	2500	2555	2709	2764	mm	
<b>L<sub>1</sub></b>	820	875	930	985	1040	1095	1150	1205	1260	1315	1370	1425	1480	1535	mm	
<b>L<sub>2</sub></b>	165	220	275	330	385	440	495	550	605	660	715	770	825	880	mm	
<b>L<sub>3</sub></b>	308														mm	
<b>H</b>	610			640					715						mm	
<b>H<sub>1</sub></b>	360			390					465						mm	
<b>a</b>	620	705			865				965	1090					mm	
<b>b</b>	1287	1485			1800				2000	2250					mm	
<b>c</b>	330	370			510				570						mm	
<b>d</b>	380	420			580				640						mm	
<b>h</b>	250	300														mm
<b>w</b>	100														mm	
<b>Motor power</b>	22	30	45	55	75		90		110		132		160		kW	
<b>Weight</b>	446	546	627	723	916	934	1107	1125	1410	1428	1556	1575	1688	1706	kg	

**It is possible to produce pumps with parameters different than those presented in the tables and on the graphs per agreement with the manufacturer.**